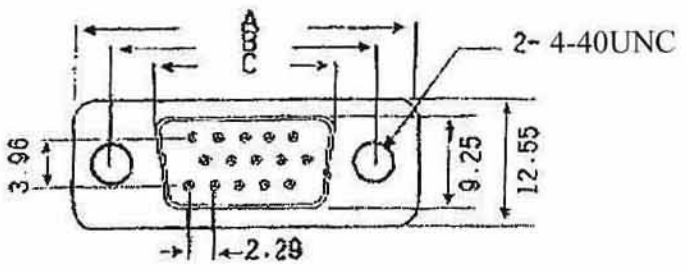


1 2 3 4 5 6 7 8

A



**ELECTRICAL CHARACTERISTICS:**  
 Current Rating: 5 Amperes.  
 Withstanding Voltage: AC 1000V OMS.  
 Insulation Resistance: 5000 Megohms minimum at DC 500V.  
 Contact Resistance: 15 Milliohms Maximum.  
 Operation Temperature: -55° c ~+105° c.

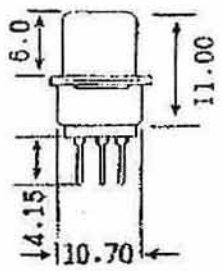
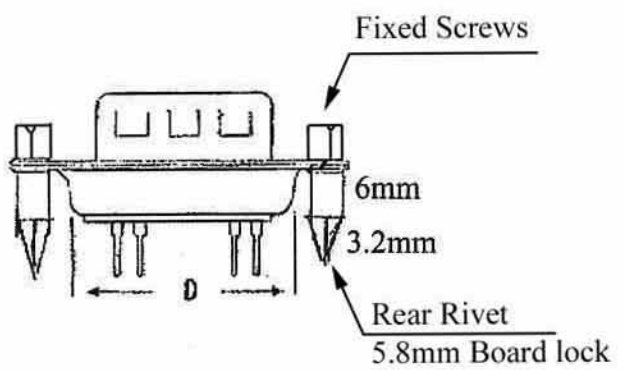
B

**MECHANICAL CHARACTERISTICS:**  
 Contact Insertion Force: 34.1g. maximum.  
 Contact RepARATION Force: 20g. minimum.  
**MATERIALS:**

C

Contacts: Phosphor Bronze.  
 Housing: PBT.  
 Shell: Gold Roller Steel.  
 Finish: Contact: Gold Flash 10, 15, 30, 50u"  
 Shell: Nickel Plated, Tin Plated, Zine Plated.

D



E

CONTACT	A± 0.38	B± 0.13	C± 0.13	D± 0.13
15M	30.81	24.99	17.92	18.36
26M	39.14	33.32	26.55	26.81
44M	53.04	47.04	39.96	40.30
62M	69.32	63.50	56.62	56.60

F

G

**玄茂科技股份有限公司**  
**HSUAN MAO TECHNOLOGY CO., LTD.**

UNIT		SCALE	PART NAME	
MM		2:1	D-SUB H.D. MALE STRAIGHT	
APPD.	CKD.	TOLERANCE	PART NO.	REV.
		± 0.5	C0561-XXMIGXXX	A

H

制表日: 2002/12/04

DRAWING.	APPROVED
Jane	

1 2 3 4 5 6 7 8